

LINECOD

Absolute magnetic sensor

Series

SMAX • SMAZ



- Cost effective non-contacting absolute sensor
- IP68 protection degree for harsh environments, IP69K on request
- Modbus/RS485, SSI & Analogue output
- Programmable resolution
- Self-diagnostics on tape distance & integrity
- Measuring length up to 1250 mm



SMAX - SMAZ

ENVIRONMENTAL SPECIFICATIONS

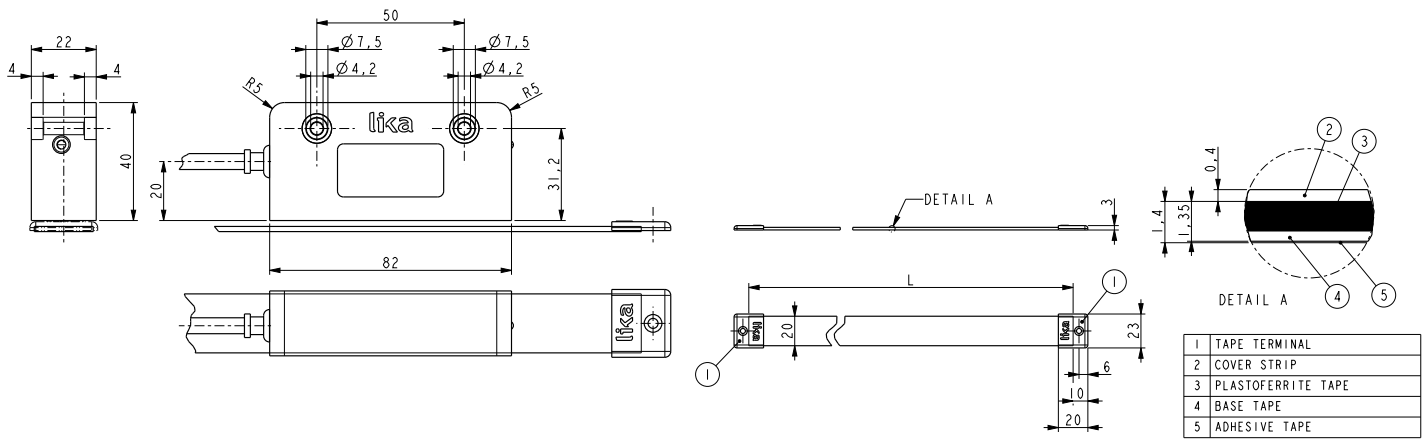
Protection:	IP68
Operating temperature range:	-25°C +85°C (-13°F +185°F)
Storage temperature range:	-40°C +100°C (-40°F +212°F)

MECHANICAL SPECIFICATIONS

Dimensions:	see drawing
Housing material:	Macromelt OM 646-EN
Electrical connections:	M12 inline plug or cable output 1 m
Gap between sensor-magnetic tape:	0,1 ÷ 2,0 mm
Travel speed:	5 m/s max. (mechanical)
Option:	• additional cable

ELECTRICAL SPECIFICATIONS

Resolution:	Programmable or fix 1.25, 1.0, 0.5, 0.1 mm
Counting frequency:	50 kHz
Sensor accuracy:	Modbus, SSI: see magnetic tape MTAX, MTAZ Analogue output: 10 bit conversion
Repeat accuracy:	± 1 increment
Output circuits:	Analogue 4-20mA, 0-10V, Modbus/RS485, SSI
Power supply:	Modbus, SSI: +10Vdc +30Vdc Analogue output: +13Vdc +30Vdc
Consumption:	1 W max.
Functions:	Programmable resolution (only Modbus, Analogue) Preset Counting direction
Protection:	against inversion of polarity and short circuit
EMC:	acc. to EN 61000-6-2 level 3



SMAX - SMAZ

MTAX - MTAZ

Order code sensor - SSI output

SMAX SMAZ	-	XX a	-	XXXX b	-	XXX c	-	/Sxxx d
--------------	---	---------	---	-----------	---	----------	---	------------

<p>a OUTPUT CIRCUITS</p> <p>BG = Binary, SSI MSB aligned</p> <p>GG = Gray, SSI MSB aligned</p>	<p>b RESOLUTION</p> <p>1250 = 1,25 mm</p> <p>1000 = 1,0 mm</p> <p>500 = 0,5 mm</p> <p>100 = 0,1 mm</p>	<p>c CONNECTIONS</p> <p>L1 = cable output 1 m (standard)</p> <p>Lx = cable output x m</p> <p>M0,5 = 0,5 m cable + M12 8 pin inline plug</p> <p>M2 = 2 m cable + M12 8 pin inline plug</p>
<p>d CUSTOM VERSION</p>		

Order code sensor - Modbus/RS485, Analogue output

SMAX SMAZ	-	XXX a	-	XXX b	-	XXX c	-	/Sxxx d
--------------	---	----------	---	----------	---	----------	---	------------

<p>a OUTPUT CIRCUITS</p> <p>MB = Modbus/RS485</p> <p>AI1 = 4-20 mA (10 bit)</p> <p>AV2 = 0-10V (10 bit)</p>	<p>b RESOLUTION</p> <p>PRG = programmable</p>	<p>c CONNECTIONS</p> <p>L1 = cable output 1 m (standard)</p> <p>Lx = cable output x m</p> <p>M0,5 = 0,5 m cable + M12 8 pin inline plug</p> <p>M2 = 2 m cable + M12 8 pin inline plug</p>
<p>d CUSTOM VERSION</p>		

Order code - Magnetic tape

MTAX - XXX MTAZ - XXXX a	-	XX b	-	X c
--------------------------------	---	---------	---	--------

<p>a TAPE LENGTH (measuring length)</p> <p>MTAX-280 = 280 mm (ML = 200)</p> <p>MTAX-380 = 380 mm (ML = 300)</p> <p>MTAX-680 = 680 mm (ML = 600)</p> <p>MTAZ-1330 = 1330 mm (ML = 1250)</p>	<p>b ACCURACY CLASS</p> <p>50 = ± 35µm/m</p>	<p>c COVER STRIP</p> <p>0 = not supplied</p> <p>1 = supplied</p>
<p>Product combination: SMAX + MTAX, SMAZ + MTAZ</p>		