

## AC/DC Current transducer AHR-B420

The transducer for the electronic measurement of DC & distorted AC waveform currents, with galvanic isolation between the primary circuit (power) and the secondary circuit (measurement). True RMS 4-20 mA current output.



### Electrical data

Primary nominal DC & AC current	Primary AC current max. peak value <sup>1)</sup>	Output current	Type
$I_{PN}$ (At rms)	$I_p$ (A)	$I_{OUT}$ (mA DC)	
500	2000	4-20	<b>AHR 500 B420</b>
800	2500	4-20	<b>AHR 800 B420</b>
1000	2000	4-20	<b>AHR 1000 B420</b>
1500	2500	4-20	<b>AHR 1500 B420</b>
2000	3000	4-20	<b>AHR 2000 B420</b>
$R_L$	Load resistance	< 300	$\Omega$
$V_C$	Supply voltage	+ 20 .. 50	V DC
$I_C$	Current Consumption	30 mA + $I_{OUT}$	
$I_{SL}$	Output current limitation	< 25	mA
$\hat{I}_P$	Overload capability (Ampere Turns)	30000	At

### Performance data<sup>2)</sup>

$X$	Accuracy @ $I_{PN}$ , $T_A = 25^\circ\text{C}$ (excluding offset)	< $\pm 1$	% of $I_{PN}$
$\epsilon_L$	Linearity error (1% of $I_{PN} \dots \pm I_{PN}$ )	< $\pm 1.0$	% of $I_{PN}$
$I_{OE}$	Electrical offset current, $T_A = 25^\circ\text{C}$	4 mA < $\pm 1.0$ % of $I_{PN}$	
$TCI_{OE}$	Temperature coefficient of $I_{OE}$ (0 .. + 60 °C)	$\pm 3.2$	$\mu\text{A/K}$
	(- 40 .. + 70 °C)	$\pm 6.4$	$\mu\text{A/K}$
$TCI_{OUT}$	Temperature coefficient of $I_{OUT}$ (% of reading)	$\pm 0.15$	%/K
$t_r$	Response time to 90% of $I_{PN}$ step	< 150	ms
$BW$	Frequency bandwidth ( $\pm 1$ dB)	DC, 20 .. 6000	Hz

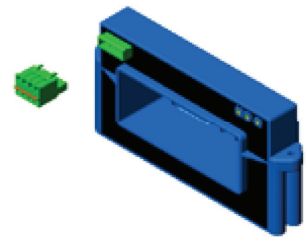
### General data

$T_A$	Surrounding operating temperature	- 40 .. + 70	$^\circ\text{C}$
$T_S$	Surrounding storage temperature	- 40 .. + 85	$^\circ\text{C}$
$m$	Mass	650	g
$IP_{xx}$	Protection degree	IP20	

**Notes** :<sup>1)</sup> The max. peak AC current is the highest peak level of the primary signal that is taken into account for accurate True r.m.s. calculation. Yet the device is designed for maximum continuous true r.m.s. value equal to  $I_{PN}$ , whereas the output is limited by the above specified output limitation.

<sup>2)</sup> **WARNING:** The specified characteristics of the transducer are only guaranteed if the paired top and bottom parts are mounted together and not mixed with similar parts of other transducers.

$$I_{PN} = 500 \dots 2000 \text{ A}$$



### Features

- DC + distorted AC waveform currents measurement
- True RMS output
- Busbar or panel mounting
- Split core type
- Isolated plastic case recognized according to UL94-V0.

### Advantages

- High isolation between primary and secondary circuits
- Eliminates insertion loss
- Easy installation.

### Applications

- **AC power supplies or Motors:** True RMS current sensing - the most accurate way to monitor power supply or motor input power
- **VFD Controlled Loads:** VFD output current monitoring to indicate how the motor and the attached load are operating
- **SCRs or Switch-mode Rectifiers:** Accurate measurement of output current
- **Renewable Energy Installations or Backup Batteries:** Continuous condition monitoring allowing automatic failure detection/ anticipation.

### Application domain

- Energy and Automation

## Current Transducer AHR-B420

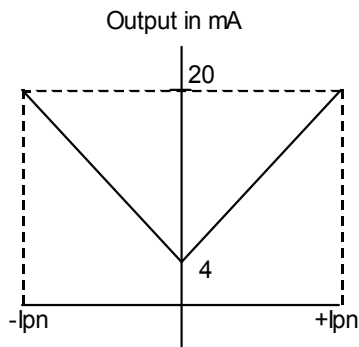
### Isolation characteristics

$V_b$	Rated isolation voltage rms <sup>3)</sup> according to the standard IEC 61010-1 and with the following conditions : - Reinforced isolation - Over voltage category III - Pollution degree PD2 - Heterogeneous field	300	V
$V_d$	Rms voltage for AC isolation test <sup>4)</sup> , 50 Hz, 1min	5.8	kV
dCp	Creepage distance	11.9	mm
dCI	Clearance distance	11.9	mm
CTI	Comparative tracking index (Group I)	250-399	

**Notes** :<sup>3)</sup> Between primary conductor voltage and ground. If insulated cable is used for the primary circuit, the voltage category could be improved according to the insulation characteristics given by the cable manufacturer.

<sup>4)</sup> Between primary (completely filling the aperture) and secondary.

### Transfer characteristics



## Current Transducer AHR-B420

### Safety and warning notes

In order to guarantee safe operation of the transducer and to be able to make proper use of all features and functions, please read these instructions thoroughly!

Safe operation can only be guaranteed if the transducer is used for the purpose it has been designed for and within the limits of the technical specifications.

Ensure you get up-to-date technical information that can be found in the latest associated datasheet under [www.lem.com](http://www.lem.com).



#### Caution! Risk of danger

Ignoring the warnings can lead to serious injury and/or cause damage!

The electric measuring transducer may only be installed and put into operation by qualified personnel that have received an appropriate training.

The corresponding national regulations shall be observed during installation and operation of the transducer and any electrical conductor.

The transducer shall be used in electric/electronic equipment with respect to applicable standards and safety requirements and in accordance with all the related systems and components manufacturers' operating instructions.



#### Caution! Risk of electrical shock

When operating the transducer, certain parts of the module may carry hazardous live voltage (e.g. primary conductor, power supply).

The user shall ensure to take all measures necessary to protect against electrical shock.

The transducer is a built-in device containing conducting parts that shall not be accessible after installation.

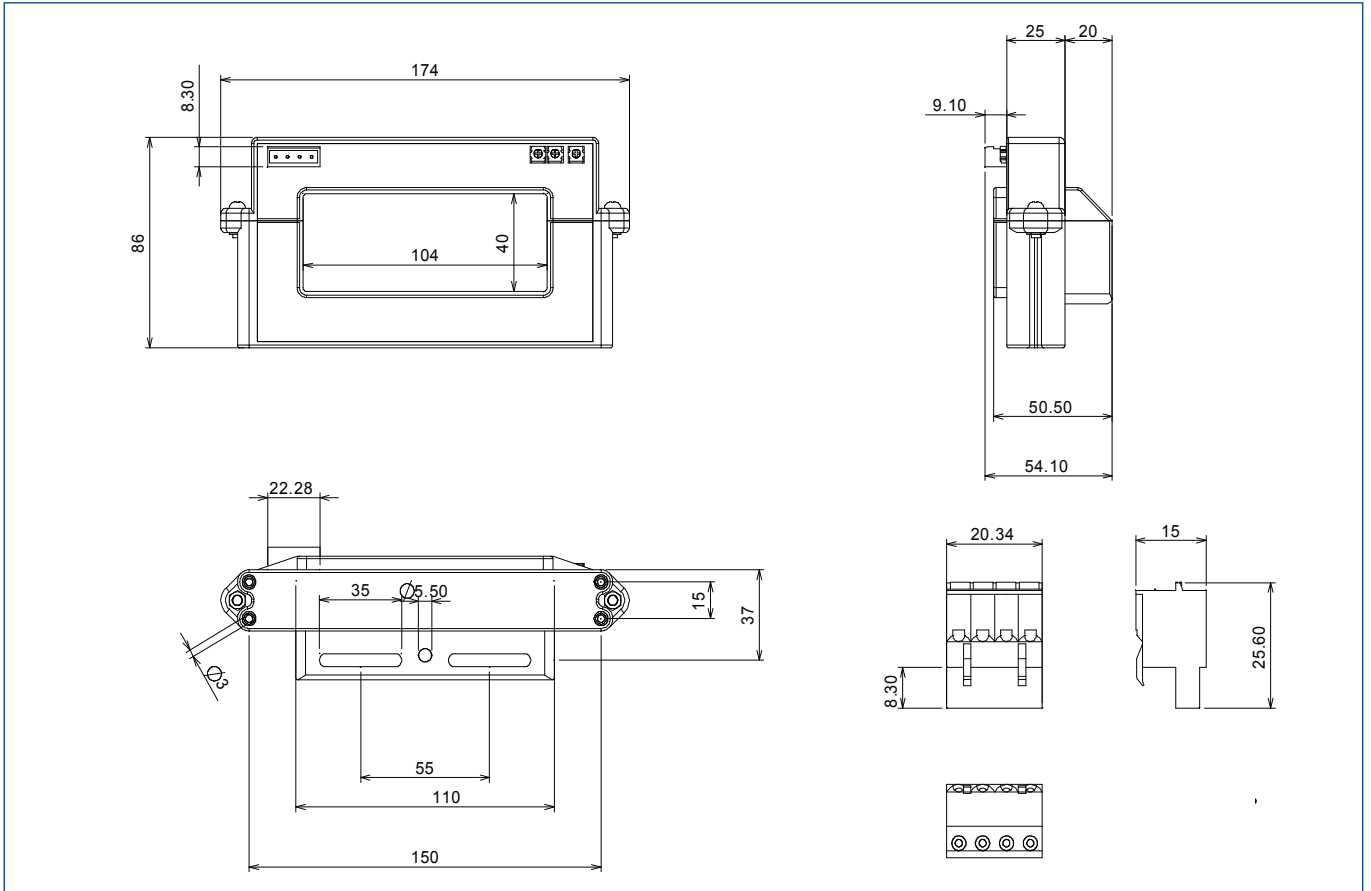
A protective enclosure or additional insulation barrier may be necessary.

The transducer shall not be put into operation if the jaw opening is open (split core version) or the installation is not completed.

Installation and maintenance shall be done with the main power supply disconnected except if there are no hazardous live parts in or in close proximity to the system and if the applicable national regulations are fully observed.

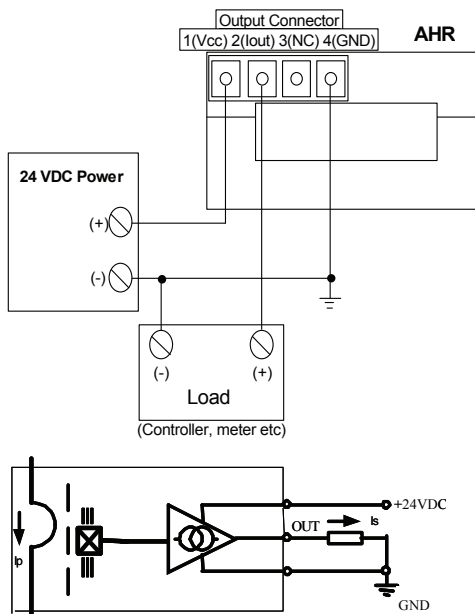
Safe and trouble-free operation of this transducer can only be guaranteed if transport, storage and installation are carried out correctly and operation and maintenance are carried out with care.

## Dimensions AHR-B420 (in mm. 1 mm = 0.0394 inch)



## Connections

- Wires up to 2 mm Ø
- Plug in connector provided (spring terminal blocks)
  - Manufacturer: Phoenix Contact - Type: FKC 2,5/ 4-ST-5,08
  - Order Nb.1910377



## Mechanical characteristics

- General tolerance  $\pm 1$  mm
  - Primary aperture 104 x 40 mm
  - Mounting
    - Busbar fastening 1 hole  $\varnothing$  5.5 mm & 2 slots 5.5 x 30 mm
    - Panel mounting 4 holes  $\varnothing$  3.2 mm
    - Distance between hole axes 15 x 150 mm
- For panel mounting, use M4 screws (not supplied) with appropriate length to panel's thickness, and tighten to 0.8Nm +/-20% torque.

## Remarks

- The return busbar and primary conductor elbow must be located at a minimum distance of 2.5 x the window length away from the transducer case.
- The temperature of the primary busbar can not exceed 90°C.
- Dynamic performances are the best with a primary busbar completely filling the primary aperture.
- This is a standard model. For different versions (supply voltages, different outputs, bidirectional measurements...), please contact us.